

Capacity	Accuracy	Part-Number
60 kg	C3/C4/C5	BM24R -60kg -Cx -3B
130 kg	C3/C4/C5	BM24R-130kg -Cx -3B
280 kg	C3/C4/C5	BM24R-280kg -Cx -3B
250 kg	C3/C4/C5	BM24R-250kg -Cx -3B
500 kg	C3/C4/C5	BM24R-500kg -Cx -3B
1 t	C3/C4/C5	BM24R-1t -Cx -3B
2 t	C3/C4/C5	BM24R-2t -Cx -6B
3.5 t	C3/C4/C5	BM24R-3.5t -Cx -6B
5 t	C3/C4/C5	BM24R-5t -Cx -6B
10 t	C3/C4/C5	BM24R-10t -Cx -15B
13 t	C3/C4/C5	BM24R-13t -Cx -15B
28 t	C3/C4/C5	BM24R-28t -Cx -15B
60 t	C3/C4/C5	BM24R-60t -Cx -15B

OIML test certificate no. TC 7865 Revision 1
 OIML C of C no. R60/2000-NL1-11.21
 NTEP certificate 11-103A1.

Recommended mounting hardware for BM24R

Capacity	Tank-Mount		Rocker pin set	
	Model	Part number	Model	Part number
60kg – 280kg	On request	N/A	On request	N/A
250kg – 1t	BM-24-401-ZT	2240010	BM-24-401-Z2	2240011
2t – 5t	BM-24-402-ZT	2240020	BM-24-402-Z2	2240021
10t – 13t	BM-24-403-ZT	2240030	BM-24-403-Z3	2240031
28t	On request	N/A	On request	N/A
60t	On request	N/A	On request	N/A

Please visit our website WWW.ZEMIC.NL for the most actual information

Nr. 2011.12 BM24R Rev 3

Specifications:

Accuracy class		OIML R60 C3 / OIML R60 C4 / OIML R60 C5					
Maximum capacity (E_{max})	t	0.06, 0.13, 0.28	250kg	0.5, 1, 2, 3.5, 5, 10	13	28	60
Output sensitivity (= FS)	mV/V	1 ± 0.01	1.75 ± 0.1	2.0 ± 0.1	2.0 ± 0.1	2.0 ± 0.1	2.0 ± 0.1
Current calibration ¹	SC	Standard					
Maximum number of load cell intervals (n_{LC})		C3 = 3000, C4 = 4000, C5 = 5000					
Minimum LC verification interval $Y = E_{max} / v_{min}$	Y	C3 = 10.000, C4 and C5 = 16.000					
Combined Error	%FS	C3 = ≤ ± 0.0230, C4 = ≤ ± 0.0174, C5 = ≤ ± 0.0140					
Minimum dead load	of E_{max}	≥ 0 %					
Safe overload	of E_{max}	150 %					
Safe sideload	of E_{max}	75 %					
Zero balance	of FS	≤ ± 1.0 %					
Excitation, recommended voltage	V	10 ~ 15					
Excitation maximum	V	30					
Input resistance	Ω	1260 ± 100	1100 ± 100	1100 ± 100	1200 ± 100	1075 ± 100	1350 ± 200
Output resistance	Ω	1020 ± 0.5	1025 ± 25	1025 ± 25	1000 ± 0.5	930 ± 0.5	1175 ± 0.5
Insulation resistance	MΩ	≥ 5000 (at 50VDC)					
Temperature range, compensated	°C	-10 ~ +40					
Temperature range, operating	°C	-35 ~ +70					
Temperature range, storage	°C	-50 ~ +90					
Recommended torque on fixation bolts	Nm	8	10	10	-	-	-
Element material		Stainless steel 1.4542					
Cable shield connected to housing		Yes					
Integrated static overload protection		Yes	Yes	Yes	Yes	No	No
Cable length	m	3m from 0,06t till 1t, 6m from 2t till 5t, 15m from 10t till 60t					
Ingress Protection (according to EN 60529)		IP66 / IP68					
ATEX classification (optional) ³		II2G Ex ib II1C T4 / II3G Ex nA/nL IIC T4 / II2D Ex ibD 20 T73°C / II3D Ex tD IIC T4					

Note 1: Current calibration: Output sensitivity and output resistance are adjusted so that the output current is calibrated within 0,05% of a reference value.

Note 3: Pending

Please visit our website WWW.ZEMIC.NL for the most actual information

Nr. 2011.12 BM24R Rev 3



Zemic Europe



Leerlooierstraat 8
4871 EN Etten-Leur
The Netherlands
www.zemic.nl

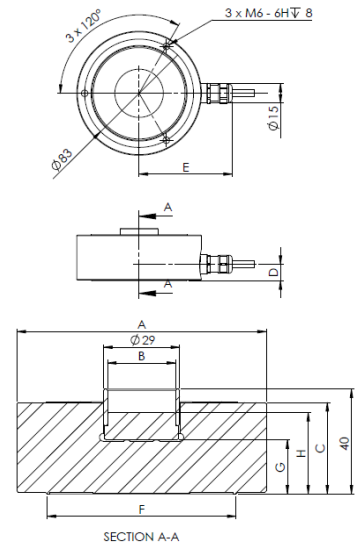
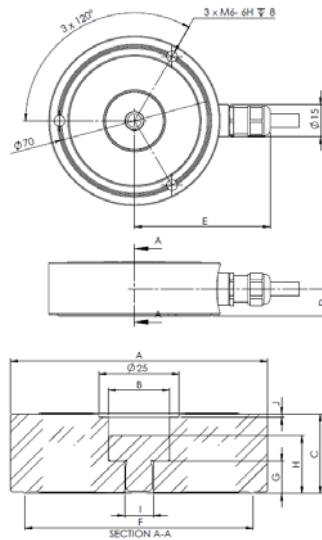
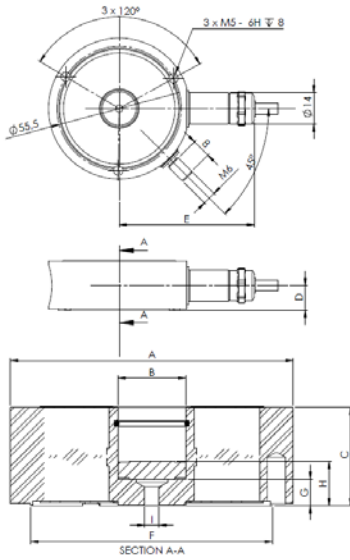
Tel: +31 7650 39 480
Fax: +31 7650 39 481
info@zemic.nl

Outline Dimensions in mm including load adaptor.

0.06, 0.13, 0.28t

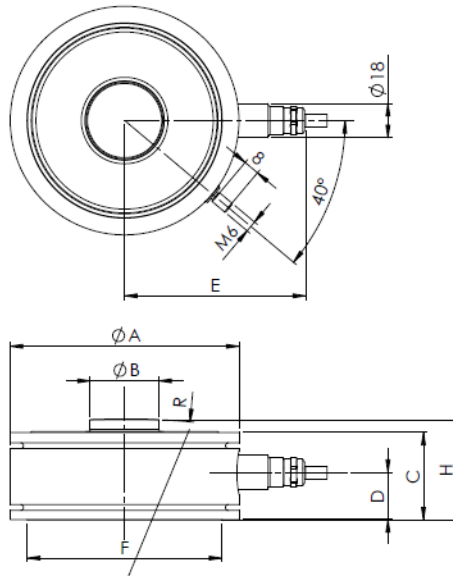
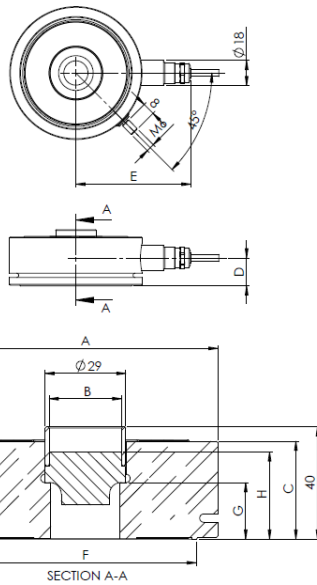
250kg, 0.5, 1, 2, 3.5, 5t

10t

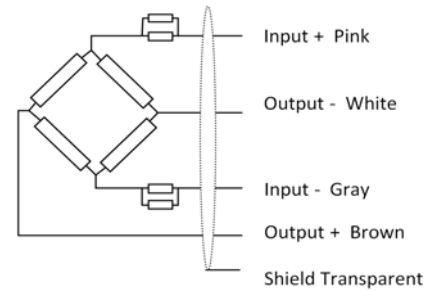


13t

28, 60t



4 - Wire



Capacity t	ØA	ØB	C	D	E	ØF	G	H	I	J	R
0.06, 0.13, 0.28	63	15.1	22	11	60	54	6	10	Ø3.2	--	--
0.5, 1	80	19	25	12.5	65	71	10	18	M10	1	--
2, 3.5, 5	80	19	30	12.5	65	71	10	18	Ø15	6	--
10	95	26	35	12.5	72	75	20.7	31.2	--	--	--
13	95	26	35	20	85	79.5	20	31	--	--	--
28	120	35.9	46	25	94	102	--	53	--	--	400
60	140	47.9	62	34	104	124	--	69	--	--	600

Please visit our website WWW.ZEMIC.NL for the most actual information

Nr. 2011.12 BM24R Rev 3